

**NOTES**

A: THIS IS A NON-STANDARD THREAD. AN ALTERNATIVE CONSTRUCTION IF THREADING FACILITIES ARE NOT AVAILABLE IS TO MAKE ITEM 5 A CLOSE RUNNING FIT IN ITEM 4 AND ASSEMBLE WITH LOCTITE

B: DIMENSIONS ARE FOR SPRING SIZE STATED IN ASSEMBLY DRAWING. ADJUST AS NECESSARY FOR OTHER SPRING SIZES

© Nick Baines 2009  
 Drawing may be copied for personal and non-commercial use only. For all other purposes, contact the author at [www.ncbaines.co.uk](http://www.ncbaines.co.uk)

TITLE <b>DIVIDING HEAD</b>			
SIZE <b>A3</b>	CAGE CODE	DWG NO	REV
SCALE 1:1		SHEET 1 OF 2	

b 5 4 3 2 1

D

D

C

C

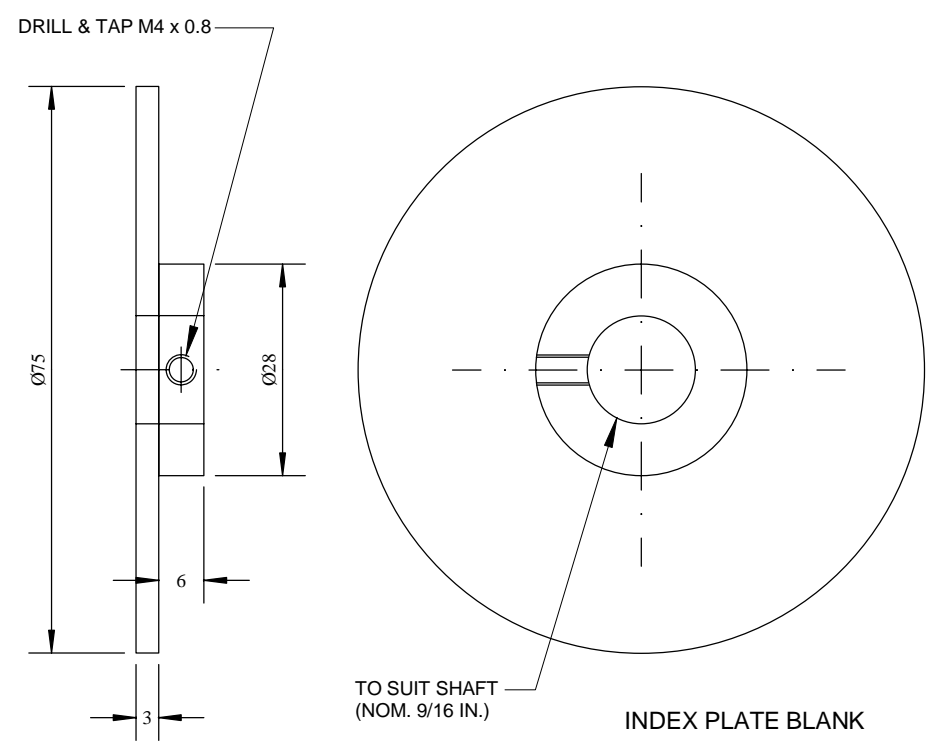
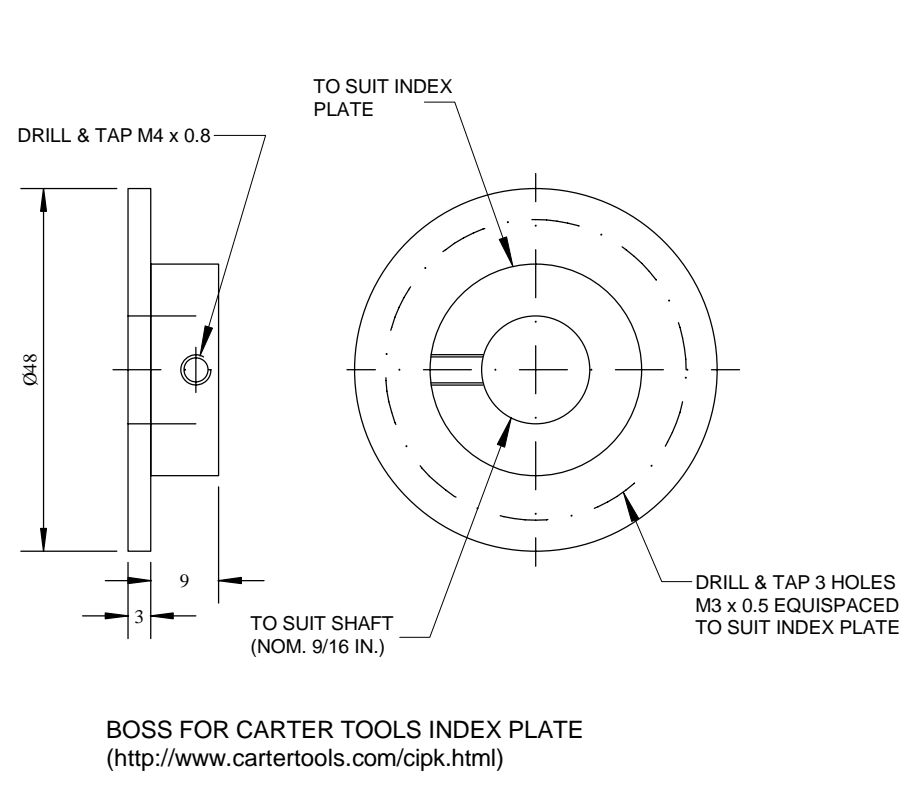
B

B

A

A

6 5 4 3 2 1



© Nick Baines 2009  
 Drawing may be copied for personal and non-commercial use only. For all other purposes, contact the author at [www.ncbaines.co.uk](http://www.ncbaines.co.uk)

TITLE			
<b>DIVIDING HEAD</b>			
SIZE	CAGE CODE	DWG NO	REV
<b>A3</b>			
SCALE 1:1		SHEET 2 OF 2	